

The world's favourite lock



YALE

DOOR CONTROL

Door closers are used to ensure doors close automatically and can be used for fire control, security, privacy or environmental requirements.

Contents



A2600 Series Power Adjustable Hydraulic Door Closer

Page **2**



A2400 Series Power Adjustable Hydraulic Door Closer

Page **4**



A300 Series Hydraulic Door Closer

Page **6**



A300 OP Series Hydraulic Door Closer

Page **8**

A2600 Series Power Adjustable Hydraulic Door Closer



The Yale A2600 is the complete door closer in one. It will cater for a wide range of applications, with power adjustment from sizes 2 to 6, fire rated with built-in delayed action and back-check making this door closer ideally suited for exterior doors, high traffic areas and installations affected by adverse weather conditions.

Slim neat design will complement most applications.

Each pack contains "Z" Parallel Arm Bracket.

Adjustable Power

Closer spring power is adjustable for sizes 2 to 6.

Backcheck

Standard in this series.

Delayed Action

Independent valve control between 180° - 80° closing. Ideally suited for disabled door applications.

Materials

High pressure diecast aluminium body. Heat treated steel rack and pinion. Forged steel arms passivated against corrosion.

Overload Protection

A built-in pressure relief valve protects the closer against rough use.

Slide Arm

Available in this series.

Aesthetically appealing with lower opening force.

Hold-open

Available in this series.

Hold-open between 80° - 180°. Order arm assembly separate.

Handing

Non-handed.

Adjustment

Two control valves (latching and closing).

Drop Plate

Available in this series. A2600 - 180SIL.

Finish

Silver Baked Enamel (SIL)



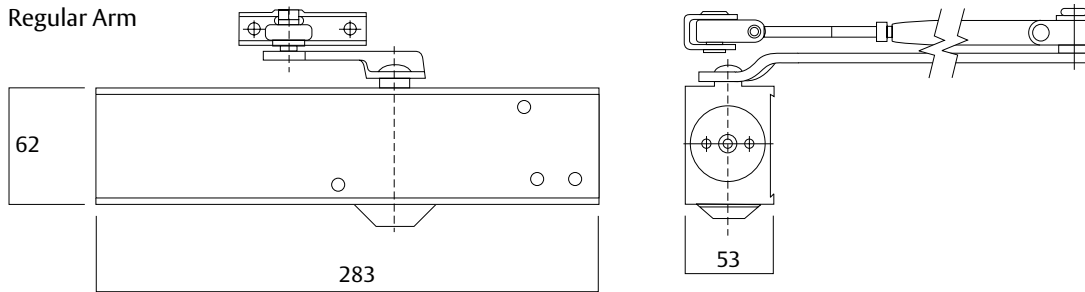
FIRE RATED

This Yale Door Closer has been successfully fire tested up to 2 hours on fire door assemblies in accordance with Australian Standard AS1905.1:2005 - Part 1: Fire Resistant Door sets.

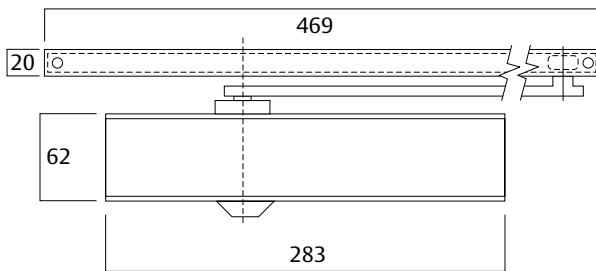
NOTE: Hold-open option is not approved on any fire door.

A2600 Series Power Adjustable Hydraulic Door Closer

Regular Arm



Slide Arm



Ordering - Trade Pack

Description	Part Number
DOOR CLOSER ADJ 2-6	Y2600SIL
SLIDE ARM ASSEMBLY	Y2600-431SIL
HOLD OPEN ARM	Y2600-224SIL
DROP PLATE	Y2600-180SIL
"L" PARALLEL ARM BRACKET	Y2600-157SIL

A2400 Series Power Adjustable Hydraulic Door Closer



The Yale A2400 Series door closer will cater for a wide range of applications and door sizes. Ideally suited to doors in high traffic areas. With power adjustment range from 2-4 strength.

Slim neat design will complement most applications.

Each pack contains "Z" Type Parallel Bracket.

Adjustable Power

Closer spring power is adjustable for sizes 2-4.

Materials

High pressure diecast aluminium body. Heat treated steel rack and pinion. Forged steel arms passivated against corrosion.

Backcheck

Standard on this model.

Mechanism

Rack and pinion design.

Overload Protection

A built-in pressure relief valve protects the closer against rough use.

Slide Arm

Available in this series.

Aesthetically appealing with lower opening force.

Hold-open

Available in this series. Hold-open between 80° - 180°.

Order arm assembly separate.

Handing

Non-handed. Suitable for left or right hand doors.

Adjustment

Two control valves (latching and closing).

Drop Plate

Available in this series. A2400-180SIL.

Finish

Silver Baked Enamel (SIL)

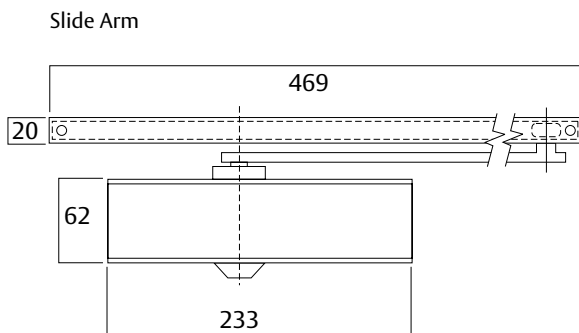
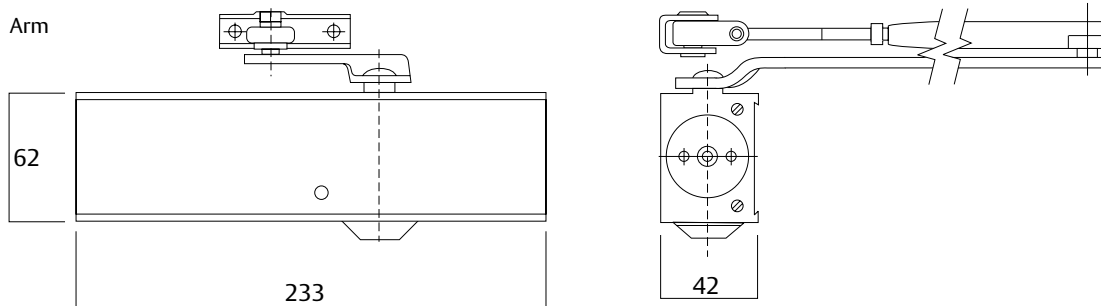


FIRE RATED

This Yale Door Closer has been successfully fire tested up to 2 hours on fire door assemblies in accordance with Australian Standard AS1905.1:2005 - Part 1: Fire Resistant Door sets.

NOTE: Hold-open option is not approved on any fire door.

A2400 Series Power Adjustable Hydraulic Door Closer



Ordering - Trade Pack

Description	Part Number
DOOR CLOSER SIZE 2-4	Y2400SIL
SLIDE ARM ASSEMBLY	Y2400-431SIL
HOLD OPEN ARM	Y2400-224SIL
DROP PLATE	Y2400-180SIL
"L" PARALLEL BRACKET	Y2400-157SIL

A300 Series Hydraulic Door Closer



The Yale A300 Series provides a full range of economy surface mounted door closers which covers a wide range of applications. Three Power sizes to suit most pull side applications where economy and ease of installation is required.

Power Sizes

Closer fixed power size range of 3, 4, 5.

Materials

High purity die-cast aluminium body. Heat treated steel rack and pinion. Stable hydraulic oil for consistent climatic operation and constant lubrication. Forged steel arms passivated against corrosion.

Mechanism

Rack and pinion design.

Hold-open

Available in this series.

Hold-open angle between 80° - 180°.

Order arm assembly separate.

Handing

Non-handed. Suitable for left or right hand doors.

Adjustment

Independent valves control closing and latching speeds.

Closing speed 180° - 10°.

Latching speed 10° - 0°.

Offset Parallel Arm

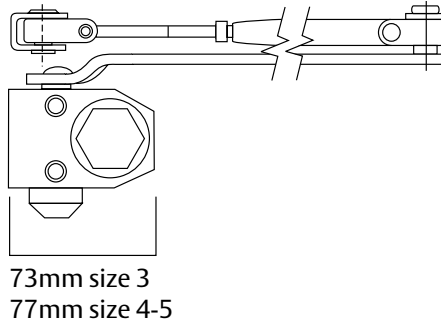
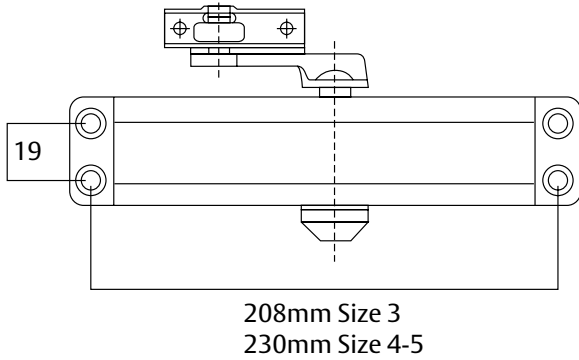
Available in this series.

Suits up to 13mm door stop.

Finish

Silver Baked Enamel (SIL)

A300 Series Hydraulic Door Closer



Ordering - Trade Pack

Part Number	Description
Y300-STSil	SIZE 3 STANDARD ARM DOOR CLOSER
Y400-STSil	SIZE 4 STANDARD ARM DOOR CLOSER
Y500-STSil	SIZE 5 STANDARD ARM DOOR CLOSER
Y2400-224Sil	HOLD OPEN ARM ASSY TO SUIT Y300-STSil
Y2600-224Sil	HOLD OPEN ARM ASSY TO SUIT Y400-STSil, Y500-STSil

A300 OP Series Hydraulic Door Closer



The Yale A300 OP Series provides a full range of economy surface mounted door closers which covers a wide range of applications. Three Power sizes to suit most push side applications where economy and ease of installation is required.

Power Sizes

Closer fixed power size range of 2, 3, 4.

Materials

High purity die-cast aluminium body. Heat treated steel rack and pinion. Stable hydraulic oil for consistent climatic operation and constant lubrication. Forged steel arms passivated against corrosion.

Mechanism

Rack and pinion design.

Handing

Non-handed. Suitable for left or right hand doors.

Adjustment

Independent valves control closing and latching speeds.

Closing speed 180° - 10°.

Latching speed 10° - 0°.

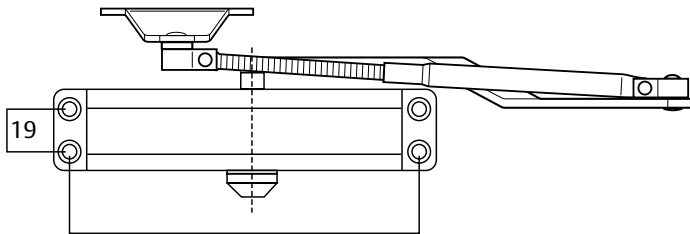
Offset Parallel Arm

Suits up to 13mm door stop.

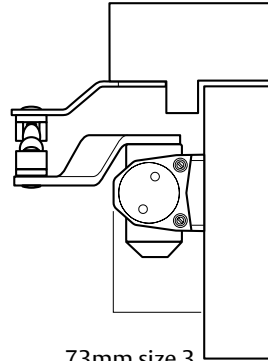
Finish

Silver Baked Enamel (SIL)

A300 OP Series Hydraulic Door Closer



208mm Size 3
230mm Size 4-5



73mm size 3
77mm size 4-5

Ordering - Trade Pack

Description	Part Number
SIZE 2 OFFSET PARALLEL ARM DOOR CLOSER	Y300-OPSIL
SIZE 3 OFFSET PARALLEL ARM DOOR CLOSER	Y400-OPSIL
SIZE 4 OFFSET PARALLEL ARM DOOR CLOSER	Y500-OPSIL



The world's favourite lock

The **Yale Brand**, with its unparalleled global reach and range of products, reassures more people in more countries than any other consumer locking solution.

The **ASSA ABLOY** group is the world's leading manufacturer and supplier of locking solutions, dedicated to satisfy user needs for security, safety and convenience.

yalelock.com.au

ASSA ABLOY Australia Head Office
ASSA ABLOY Australia Pty Limited
235 Huntingdale Road, Oakleigh
Victoria, 3166 Australia

1300 LOCK UP (1300 562 587)
info.au@assaabloy.com
assaabloy.com.au

Disclaimer

Whilst every effort has been made to ensure that the information (including product images and drawings) contained in this brochure is accurate at the time of publication, ASSA ABLOY Australia Pty Limited ("ASSA ABLOY") recommends that you consult ASSA ABLOY or its agents prior to placing an order to ascertain current information on specific products, as ASSA ABLOY reserves the right to make changes without notice. ASSA ABLOY will not be liable for any injury, loss or damage whatsoever, arising from any errors or omissions in the information contained in the brochure or arising from the use or application of the information contained herein. © 2017 copyright by ASSA ABLOY All rights reserved

ASSA ABLOY Australia Pty Limited ABN 90 086 451 907 © 2017_09

