



HINGED SECURITY DOOR HARDWARE

Borelocks that have been manufactured according to stringent quality specifications and provide high security locking solutions for your home.

Quattro® Security Door Lock



The new Yale Quattro is the fourth generation of ASSA ABLOY's security door lock with projection bolt, to suit hinged door applications. While the lock may look familiar, the lockbody has been redesigned and incorporates 50% new parts from its predecessor to improve the operation and durability of the snibbing and key locking functions.

Features & Specifications

- Improved snibbing and key locking functions
- Compatible with industry standard door preparations and will retrofit in place of the Tasman MK3 lockset
- Can be used with legacy Tasman MK3 accessories such as cylinder, strikers, furniture and 3 Point Locking Kits
- 3 Point Locking Kit operation is driven by the inside snib for increased security when "day latched"
- DualSelect™ 2 stage key locking, offers safety and security for all occupants by giving a choice of selecting privacy lock or deadlock when exiting the home

Security

Conforms with level S7 (Physical Security) Australian Lock Standard - AS4145.2-2008. Successfully tested on security screen doors in accordance with Australian Standard AS 5039-2008: Security Screen Doors and Security Window Grilles and AS 5041-2003: Methods of test.

Durability

Conforms with level D8 (Durability) Australian Lock Standard - AS4145.2-2008.

Keying

Used with Whitco, Lockwood or Interlock lazy cam cylinders. Locks are supplied less cylinder. Cylinder needs to be ordered separately.

Finish

Black (BLK), White (WH), Primrose (PRM) and Brown (BRN) powdercoat finishes.

DUALSELECT

Turning the key to the first selection engages the privacy lock, this offers security from the outside whilst allowing occupants inside to unlock with the inside snib and safely exit using the internal lever.

Turning the key to the second selection engages the deadlock, this provides internal and external security, locking both handles and the snib and requires the key to unlock the door from inside and outside.

Quattro® Security Door Lock

Application / Description

Single or Multi point hinged security or screen door lock.

Features and Specifications

DUALSELECT

- DualSelect offers safety and security for all occupants by giving a choice of selecting privacy-lock or deadlock when exiting the home. Turning the key to the first selection engages the privacy-lock, which offers security from the outside whilst allowing occupants inside to safely exit using the internal privacy snib. The second selection engages the deadlock, which provides security, but requires the key to unlock the door from inside and outside.
- Internal padlock symbol denotes door is in deadlock mode
- Contemporary styled furniture with pre-assembled handles and snib
- Patented anti-jimmy extra wide serrated locking bolt

S7 SECURITY D8 DURABILITY

- High performance lock meets or exceeds relevant requirements of Australian Standard AS 4145.2-2008 to Level S7 and D8
- Successfully tested on security screen doors in accordance with Australian Standard AS 5039-2008: Security Screen Doors and Security Window Grilles and AS 5041-2003: Methods of test
- Patentable features for centre and auxiliary locks
- Fits industry standard cut outs
- Retrofits previous Whitco Tasman MK3 lock
- Zinc diecast lock mechanism and furniture
- Easy installation
- Suits either left or right hand opening hinged security and screen doors
- Mortice lock with inside snib
- Key overrides snib
- Automatic latching
- Accepts Lockwood, Whitco & Interlock Euro profile lazy cam cylinders
- Suit standard 20 mm door thickness
- Stainless steel strikes



Interior view



Aluminium



Steel



Security Screen



Flyscreen

Quattro® Hinged 3 Point Locking Kit

Application / Description

Used in conjunction with the Quattro Hinged Security Door Lock to provide 3 point locking for additional security.

Features and Specifications

- Universal remote locks and rods
- Snib operates all 3 locks
- Easy installation
- Snap-on-fix actuating bar suits above or below centreline applications and wider door sections
- Patentable auxiliary locks

S7 SECURITY **D8 DURABILITY**

- High performance lock meets or exceeds relevant requirements of Australian Standard AS 4145.2-2008 to Level S7 and D8
- Successfully tested on security screen doors in accordance with Australian Standard AS 5039-2008: Security Screen Doors and Security Window Grilles and AS 5041-2003: Methods of test
- Retrofits previous Whitco Tasman MK3 lock
- Auxiliary bolts serrated for added anti-jemmy security
- Zinc diecast bolt and lock case
- Galvanised steel connecting rods and steel auxiliary lock cover plates
- Stainless steel strikes

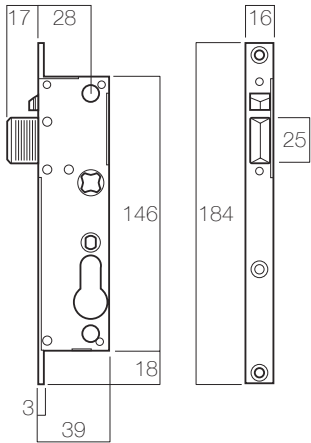
Finishes

Black powdercoat finish.

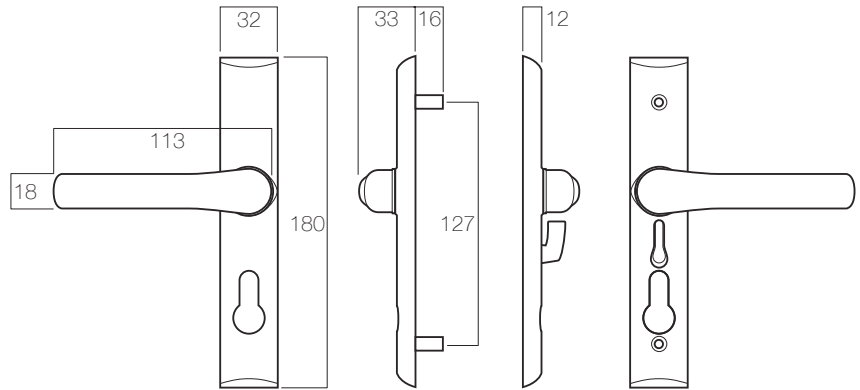


Quattro® Security Door Lock

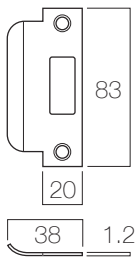
Lock Body



Furniture

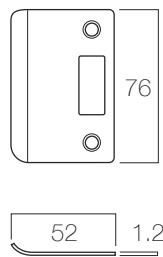


Standard Strike (centre lock)



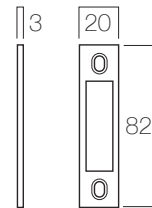
(Stainless Steel)
W804000

Optional Extra Width Strike (centre lock)



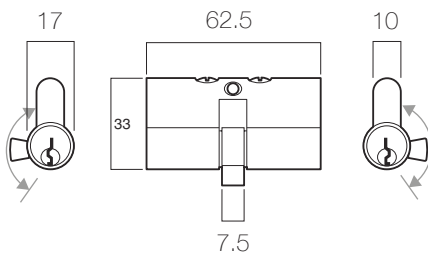
(Stainless Steel)
W804500

Optional Strike Packer (centre lock)



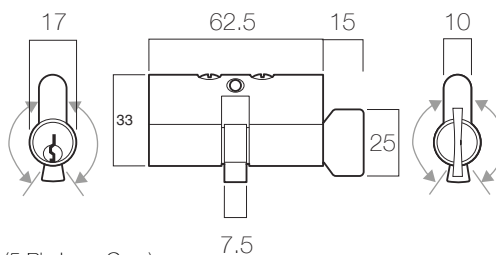
(Zinc Diecast)
W844100

Optional Double Cylinder



(5 Pin Lazy Cam)
W841200

Optional Cylinder and Turn (non handed)

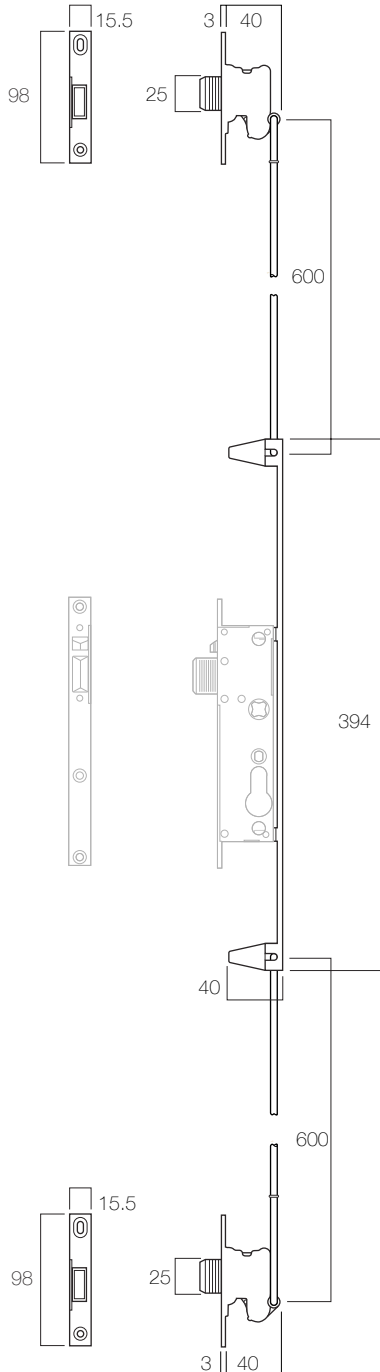


(5 Pin Lazy Cam)
W845900

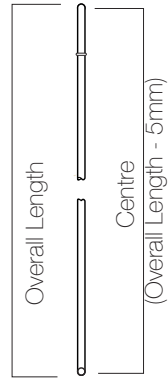
All dimensions are in millimetres.

Quattro® Security Door Lock

3 Point Lock Accessory Kit

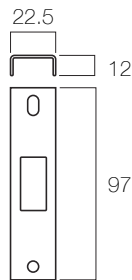


Custom Connecting Rods



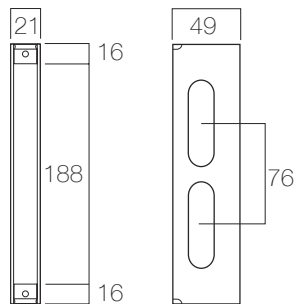
W805000 Connecting Rod 405mm Overall Length
 W805100 Connecting Rod 505mm Overall Length
 W805200 Connecting Rod 605mm Overall Length
 W805300 Connecting Rod 1075mm Overall Length
 Minimum Order Quantity of 20/size.

Optional Auxillary Lock Support Plate



W800617

Optional Mounting Lockcage (centre lock)

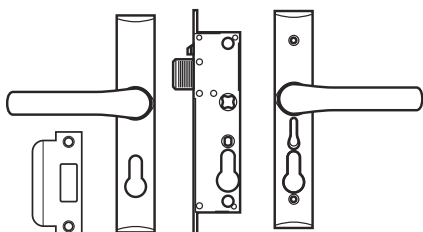


W841100

All dimensions are in millimetres.

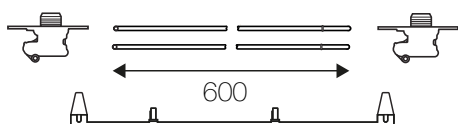
Quattro® Security Door Lock

Y8104 Quattro Hinged Security Door Lock No Cylinder



Lock Body, Furniture, Striker & Fixing Screws
Cylinder to be ordered separately

Y8100 Quattro Hinged Security Door Lock 3 Point Accessory Kit



Remote Locks, 600mm Connecting Rods,
Connecting Bar, Strikers & Fixing Screws

Ordering Procedure - Accessories and Spare Parts

Description	Part Number
3 Point Connecting Rod - 405mm	W805000
3 Point Connecting Rod - 505mm	W805100
3 Point Connecting Rod - 605mm	W805200
3 Point Connecting Rod - 1075mm	W805300

Minimum Order Quantity of 20.

Ordering Procedure - Lazy Cam

Description	Part Number
Double 5 Pin Cylinder - Random Keyed	W841200
Double 5 Pin Cylinder - Keyed Alike x2	W842200
Double 5 Pin Cylinder - Keyed Alike x4	W842400
Double 5 Pin Cylinder - Keyed Alike x10	W842500
Double 5 Pin Cylinder - Keyed Alike x20	W842600

Ordering Procedure - Trade Pack

Description	Part Number
Quattro Hinged Security Door Lock No Cylinder	Y8104BLK
Quattro Hinged Security Door Lock No Cylinder	Y8104PRM
Quattro Hinged Security Door Lock No Cylinder	Y8104WH

Ordering Procedure - Display Pack

Description	Part Number
Quattro Hinged Security Door Lock DP	Y8104BLKDP
Quattro Hinged Security Door Lock DP	Y8104BRNDP
Quattro Hinged Security Door Lock DP	Y8104PRMDP
Quattro Hinged Security Door Lock DP	Y8104WHDP

Ordering Procedure

Description	Part Number
Quattro 3 Point Lock Accessory Kit	Y8100/H3PT

Description	Part Number
Standard Striker - Centre Lock	W804000
Extra Width Striker - Centre Lock	W804500
Striker Packer - Centre Lock	W844100
3 Point Auxillary Lock Support Plate	W800600
Mounting Lock Cage - Centre Lock	W841100

Minimum Order Quantity may apply - refer to current price book for details.



The **Yale Brand**, with its unparalleled global reach and range of products, reassures more people in more countries than any other consumer locking solution.

The **ASSA ABLOY** group is the world's leading manufacturer and supplier of locking solutions, dedicated to satisfy user needs for security, safety and convenience.

yalelock.com.au

ASSA ABLOY Australia Head Office
ASSA ABLOY Australia Pty Limited
235 Huntingdale Road, Oakleigh
Victoria, 3166 Australia

1300 LOCK UP (1300 562 587)
customerservice.au@assaabloy.com
assaabloyopeningsolutions.com.au

Disclaimer

Whilst every effort has been made to ensure that the information (including product images and drawings) contained in this brochure is accurate at the time of publication, ASSA ABLOY Australia Pty Limited ("ASSA ABLOY") recommends that you consult ASSA ABLOY or its agents prior to placing an order to ascertain current information on specific products, as ASSA ABLOY reserves the right to make changes without notice. ASSA ABLOY will not be liable for any injury, loss or damage whatsoever, arising from any errors or omissions in the information contained in the brochure or arising from the use or application of the information contained herein. © 2019 copyright by ASSA ABLOY All rights reserved

ASSA ABLOY Australia Pty Limited ABN 90 086 451 907 © 2019_04

