



NEXUS WINDOW STAYS

The next generation of window stay.

Nexus Window Stays



Introducing Nexus, a highly innovative range of high capacity aluminium stays from Yale, designed to replace existing A Stay ranges in the Australian market.

Developed in New Zealand in response to changing market requirements for larger window sashes in projected top hung windows, the Nexus range can support window weights of up to 60kg and 2m in height, while still maintaining endurance performance and handle forces, making it the highest capacity aluminium residential window stay on the market.



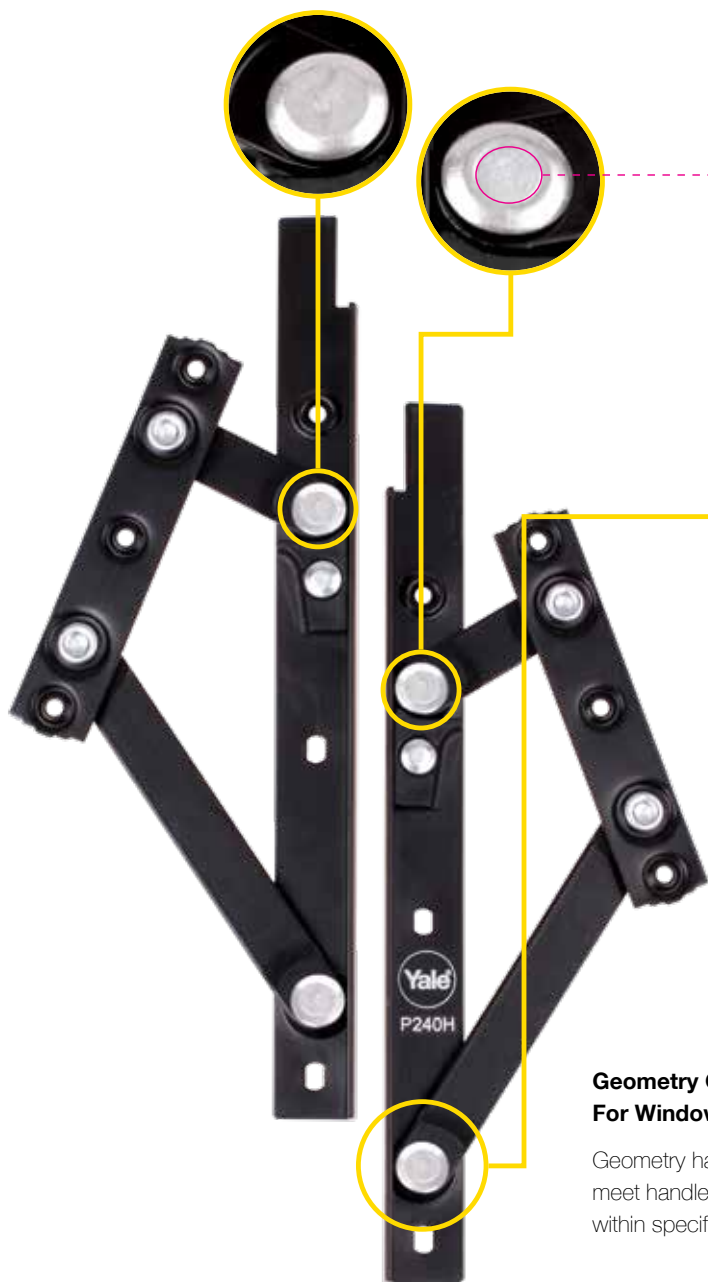
Features

- Supports window weights up to 60kg
- For installation in windows up to 2m high
- Patent pending for innovative integrated friction joint
- Geometry optimized for window range
- Manufactured with unique 'pull-in' feature
- Identification mark for High Friction versions
- For projected top hung windows
- A complete range for residential applications
- Direct replacement for the current A-Stay range
- Complies with requirements in NZ:4211
- Provides compression for weather seal
- Made from extruded aluminium with no sliding channels
- Tested to 36,000 cycles
- Black powdercoat finish

Options

- Available in four sizes to cater for sash weights up to 60kg
- Includes specific friction models:
 - 'A' Standard Friction
 - 'H' High Friction
 - 'N' Non Friction

Nexus Window Stays



Identification Mark For High Friction Versions

It's easy to tell the difference between the high and standard friction versions of the stay range. The 'H' versions have an identification ring pressed into the face of the rivet head.



Patent Pending For Innovative Integrated Friction Joint For High Capacity

The integrated friction joint has been designed to give consistent friction throughout the life of the product without adjustment and meets the requirements of NZ:4211.



Geometry Optimised For Window Range

Geometry has been optimised to meet handle force requirements within specified window heights.

Part Number	Opening Angle	Max. Sash Height	Max Sash Weight
P240A	34°	600mm	10kg
P240H	34°	600mm	18kg
P240N	34°	600mm	18kg
P340A	28°	1000mm	18kg
P340H	28°	1000mm	30kg
P450H	20°	1500mm	45kg*
P710H	17°	2000mm	60kg*

*See selection chart for restrictor use with certain window widths.



The **Yale Brand**, with its unparalleled global reach and range of products, reassures more people in more countries than any other consumer locking solution.

The **ASSA ABLOY** group is the world's leading manufacturer and supplier of locking solutions, dedicated to satisfy user needs for security, safety and convenience.

yalelock.com.au

ASSA ABLOY Australia Head Office
ASSA ABLOY Australia Pty Limited
235 Huntingdale Road, Oakleigh
Victoria, 3166 Australia

1300 LOCK UP (1300 562 587)
customerservice.au@assaabloy.com
assaabloyopeningsolutions.com.au

Disclaimer

Whilst every effort has been made to ensure that the information (including product images and drawings) contained in this brochure is accurate at the time of publication, ASSA ABLOY Australia Pty Limited ("ASSA ABLOY") recommends that you consult ASSA ABLOY or its agents prior to placing an order to ascertain current information on specific products, as ASSA ABLOY reserves the right to make changes without notice. ASSA ABLOY will not be liable for any injury, loss or damage whatsoever, arising from any errors or omissions in the information contained in the brochure or arising from the use or application of the information contained herein. © 2019 copyright by ASSA ABLOY All rights reserved

ASSA ABLOY Australia Pty Limited ABN 90 086 451 907 © 2019_04

